

3.3.2 Additional front seal (S7)

- Material: Elastomer
- Design: single-lip seal

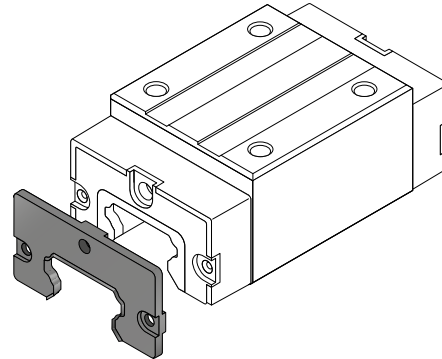
Mounting

Mounting screws and grease nipple are included.

NOTE: Can be ordered in combination with a scraper plate as a kit. For designation, refer to

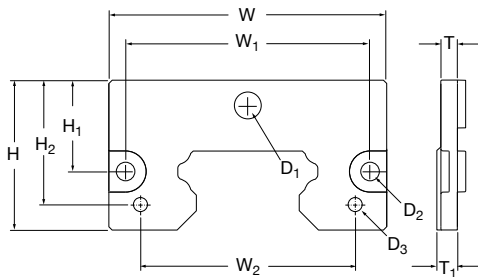
Ordering key accessories (↳ page 104).

An additional front seal in combination with carriages equipped with low friction S0 shield results in a sealed system with lower friction.



Appearance can vary slightly depending on the size.

Dimensional drawing



Size	Part designation	Dimensions			W	W ₁	W ₂	H	H ₁	H ₂	T	T ₁
		D ₁	D ₂	D ₃								
–	–											
15	LLTHZ 15 S7	3,6	3,4	–	31,6	25,8	–	18,5	12	–	3	4
20	LLTHZ 20 S7	5,5	3,4	–	42,6	35	–	24,2	14,8	–	3	4
25	LLTHZ 25 S7	5,5	4,5	–	46,6	39,6	–	27,7	16,8	–	3	4
30	LLTHZ 30 S7	6,5	3,4	–	57,9	50	–	31,5	19,3	–	4	5
35	LLTHZ 35 S7	6,5	4,5	3,4	67,3	59,2	52	36,3	22,1	30,1	4	5
45	LLTHZ 45 S7	6,5	5,5	3,4	83,3	72	67	44,2	27,5	38,3	4	5